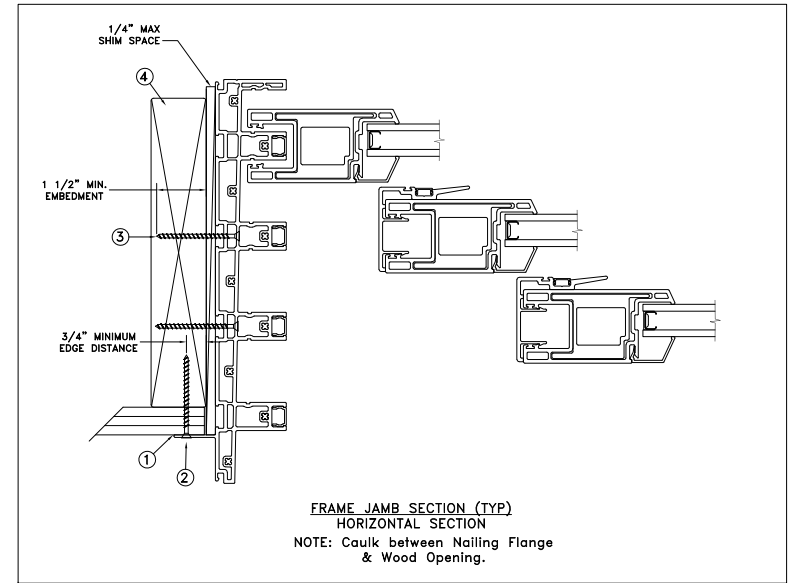
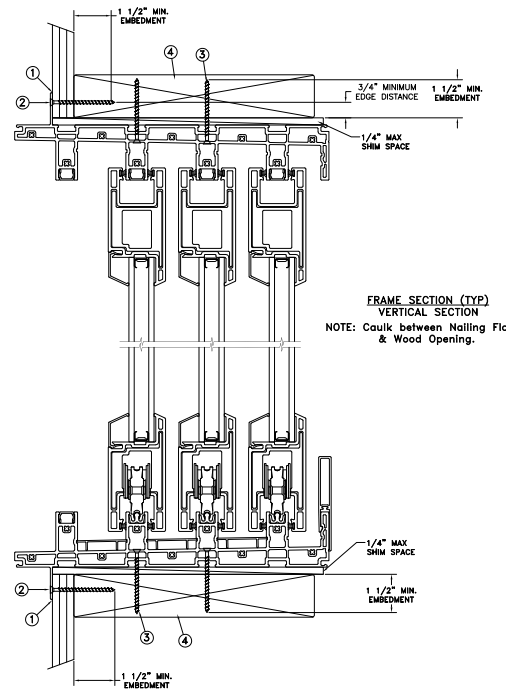
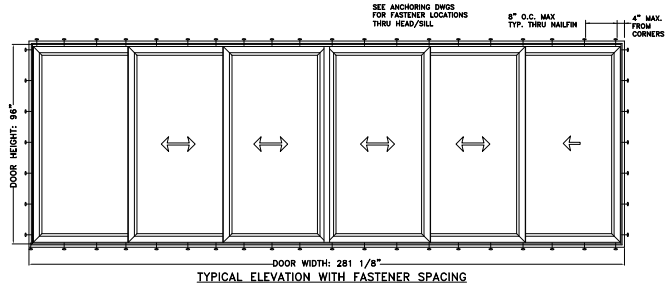


NAILFIN / THRU JAMB  
INSTALLATION



Max Frame	DP	IMPACT
281 3/8 x 96	+50/-55	NO

**Installation Notes:**

1. Seal flange/frame to substrate.
2. Use #8 PH or greater fastener through the nailfin with sufficient length to penetrate a minimum of 1 1/2" into the wood framing. For 2x wood frame substrate (min. S.G. = 0.42)
3. Use #8 PH or greater fastener through the pre-drilled holes in the head/sill tracks at the center (2) towers with sufficient length to penetrate a minimum of 1 1/2" into the wood framing. See additional details for location and spacing.
4. Host structure (wood buck, masonry, steel) to be designed and anchored to properly transfer all loads to the structure. The host structure is the responsibility of the architect or engineer of record for the project of installation.

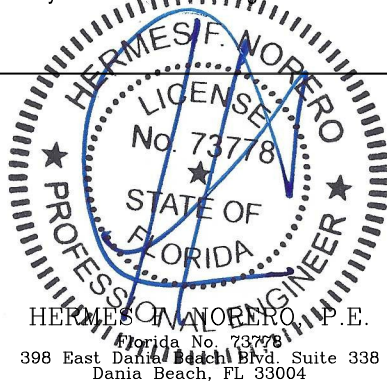
**General Notes:**

1. The product shown herein is designed, tested and manufactured to comply with the wind load criteria of the adopted International Building Code (IBC), the International Residential Code (IRC), the Florida Building Code (FBC) excluding HVHZ and the industry requirement for the stated conditions.
2. All glazing shall conform to ASTM E1300.
3. At minimum, glazing is 4.7mm tempered - 12.9mm airspace - 4.7mm tempered.
4. Use structural or composite shims where required.

This schedule addresses only the fasteners required to anchor the unit to achieve the rated design pressure and impact performance (where applicable) up to the size limitations noted. It is not intended as a guide to the installation process and does not address the sealing consideration that may arise in different wall conditions. For the complete installation procedure, see the instructions packaged with the unit or go to [www.jeld-wen.com/resources/installation](http://www.jeld-wen.com/resources/installation).

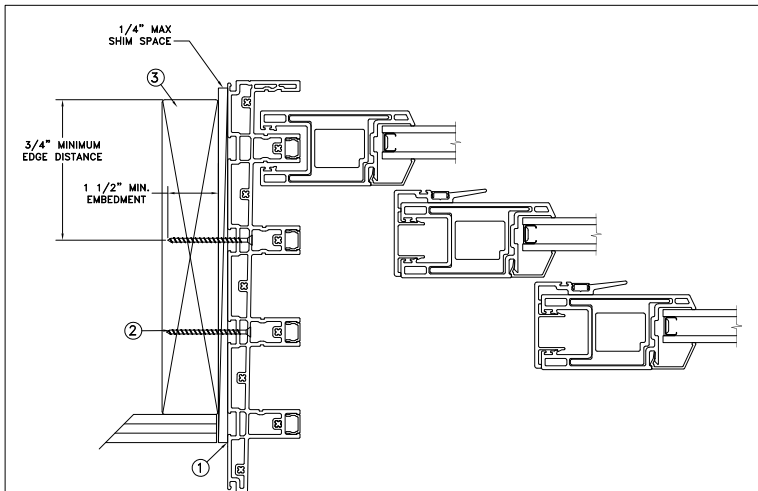
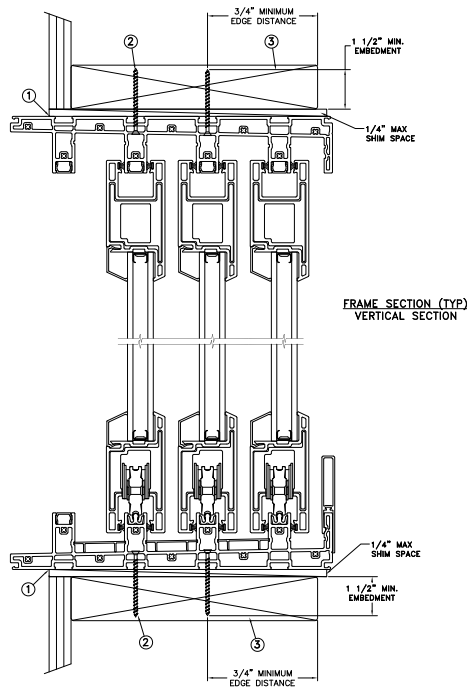
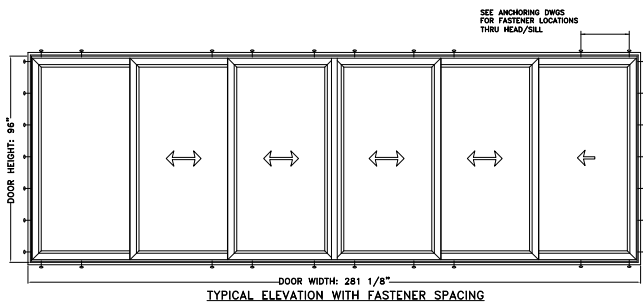
**DISCLAIMER:**

This drawing and its contents are confidential and are not to be reproduced or copied in whole or in part or used or disclosed to others except as authorized by JELD-WEN Inc.



PROJECT ENGINEER:	DATE: 04/17/2017	<b>JELD-WEN</b> 3737 LAKEPORT BLVD. KLAMATH FALLS OR, 97601 PHONE: (800) 535-3936
DRAWN BY: J.HAWKINS	SCALE: NTS	
CHECKED BY: D.CROWELL	TITLE:  Premium Vinyl Multi-Slide Patio Door 6-Panel 4-Track OXXXXX Stack	
APPROVED BY: J.GOOSSEN		
PART/PROJECT No.:		
D014676		
IDENTIFIER No. NCTL 210-4025-01	PLANT NAME AND LOCATION: Venice-FL	CAD DWG. No.: PremVinylMTSLDR4 Cert
		REV: A SHEET

THROUGH FRAME  
INSTALLATION



Max Frame	DP	IMPACT
281 3/8 x 96	+50/-55	NO

**Installation Notes:**

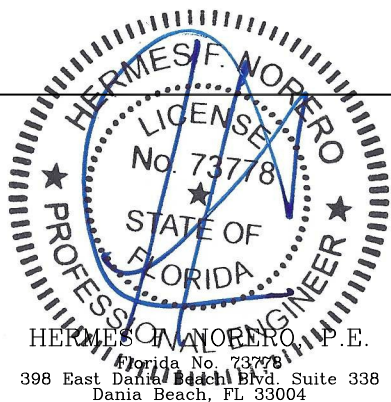
1. Seal flange/frame to substrate.
2. Use #14 PH or greater fastener through the pre-drilled holes in the head/sill tracks at the center (2) towers with sufficient length to penetrate a minimum of 1 1/2" into the wood framing. See additional details for location and spacing.
3. Host structure (wood buck, masonry, steel) to be designed and anchored to properly transfer all loads to the structure. The host structure is the responsibility of the architect or engineer of record for the project of installation.

**General Notes:**

1. The product shown herein is designed, tested and manufactured to comply with the wind load criteria of the adopted International Building Code (IBC), the International Residential Code (IRC), the Florida Building Code (FBC) excluding HVHZ and the industry requirement for the stated conditions.
2. All glazing shall conform to ASTM E1300.
3. At minimum, glazing is 4.7mm tempered - 12.9mm airspace - 4.7mm tempered.
4. Use structural or composite shims where required.

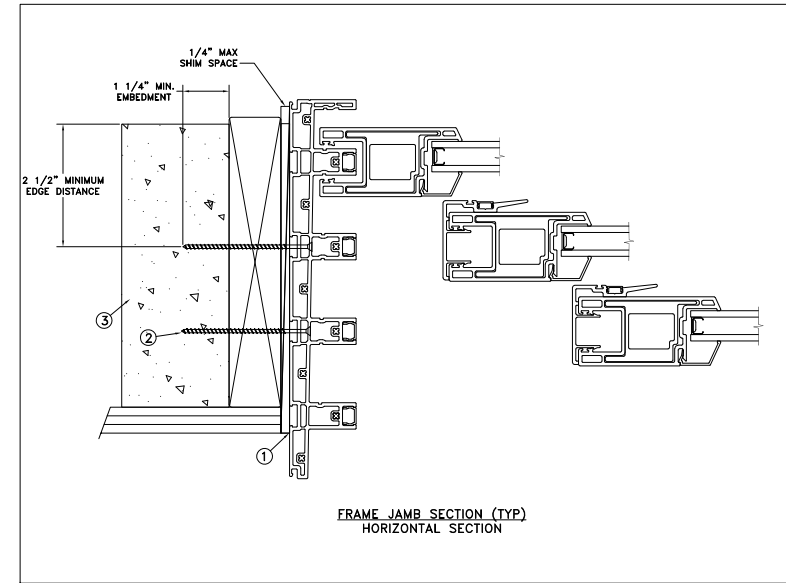
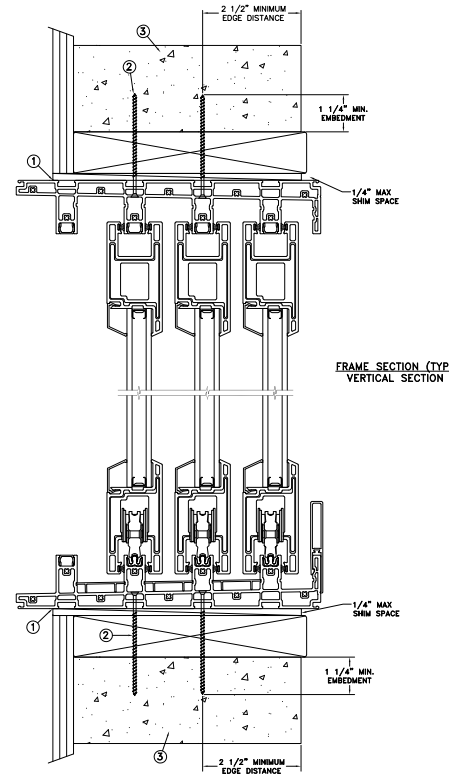
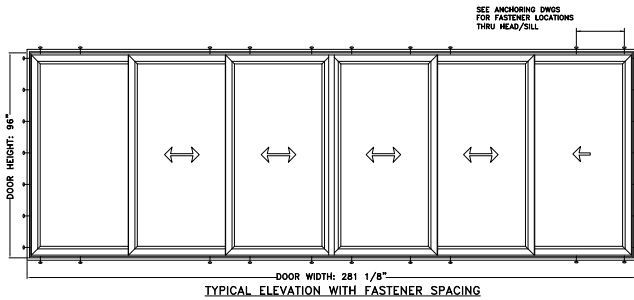
This schedule addresses only the fasteners required to anchor the unit to achieve the rated design pressure and impact performance (where applicable) up to the size limitations noted. It is not intended as a guide to the installation process and does not address the sealing consideration that may arise in different wall conditions. For the complete installation procedure, see the instructions packaged with the unit or go to [www.jeld-wen.com/resources/installation](http://www.jeld-wen.com/resources/installation).

**DISCLAIMER:**  
This drawing and its contents are confidential and are not to be reproduced or copied in whole or in part or used or disclosed to others except as authorized by JELD-WEN Inc.



PROJECT ENGINEER:	DATE:	<b>JELD-WEN</b> 3737 LAKEPORT BLVD. KLAMATH FALLS OR, 97601 PHONE: (800) 535-3936		
DRAWN BY:	SCALE:			
CHECKED BY:	TITLE:	Premium Vinyl Multi-Slide Patio Door 6-Panel 4-Track OXXXXX Stack		
APPROVED BY:				
PART/PROJECT No.:				
IDENTIFIER No.	PLANT NAME AND LOCATION:	CAD DWG. No.:	REV:	SHEET
NCTL 210-4025-01	Venice-FL	PremVinylMTSLDR4 Cert	A	

CONCRETE/MASONRY  
INSTALLATION



Max Frame	DP	IMPACT
281 3/8 x 96	+50/-55	NO

**Installation Notes:**

1. Seal flange/frame to substrate.
2. Use 1/4" Elco Tapcon or equivalent fasteners through the pre-drilled holes in the head/sill tracks at the center (2) towers with sufficient length to penetrate a minimum of 1 1/2" into concrete or masonry at each location with a 2 1/2" min. from edge distance. For concrete (min. fc = 2000 psi) or masonry substrate (CMU shall adhere to ASTM C90).
3. Host structure (wood buck, masonry, steel) to be designed and anchored to properly transfer all loads to the structure. The host structure is the responsibility of the architect or engineer of record for the project of installation.

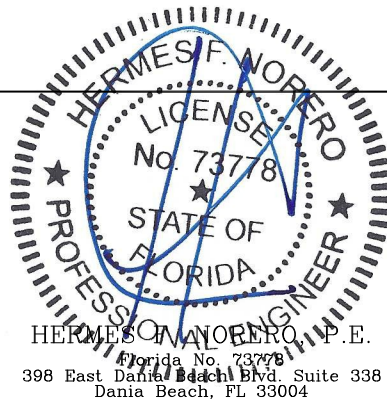
**General Notes:**

1. The product shown herein is designed, tested and manufactured to comply with the wind load criteria of the adopted International Building Code (IBC), the International Residential Code (IRC), the Florida Building Code (FBC) excluding HVHZ and the industry requirement for the stated conditions.
2. All glazing shall conform to ASTM E1300.
3. At minimum, glazing is 4.7mm tempered - 12.9mm airspace - 4.7mm tempered.
4. Use structural or composite shims where required.

This schedule addresses only the fasteners required to anchor the unit to achieve the rated design pressure and impact performance (where applicable) up to the size limitations noted. It is not intended as a guide to the installation process and does not address the sealing consideration that may arise in different wall conditions. For the complete installation procedure, see the instructions packaged with the unit or go to [www.jeld-wen.com/resources/installation](http://www.jeld-wen.com/resources/installation).

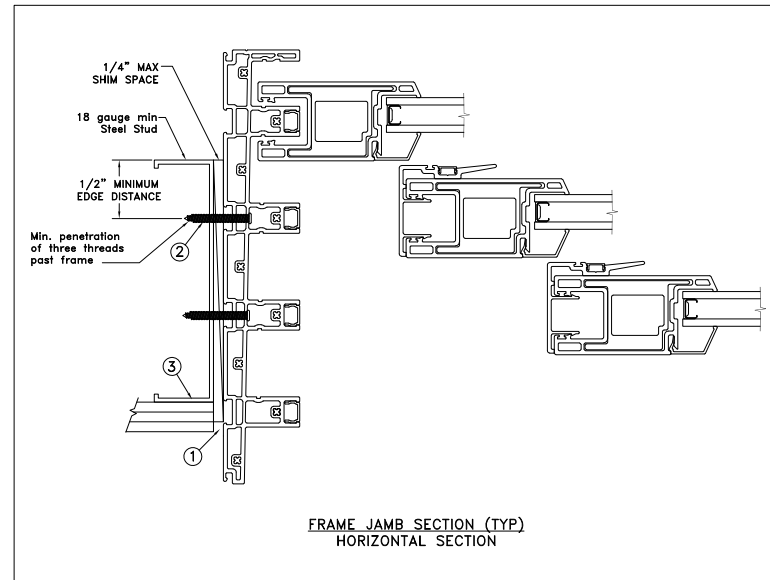
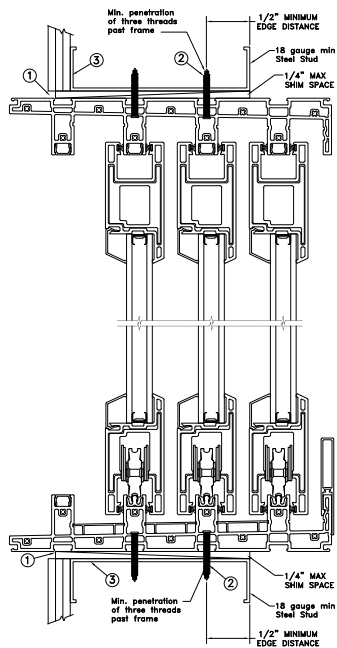
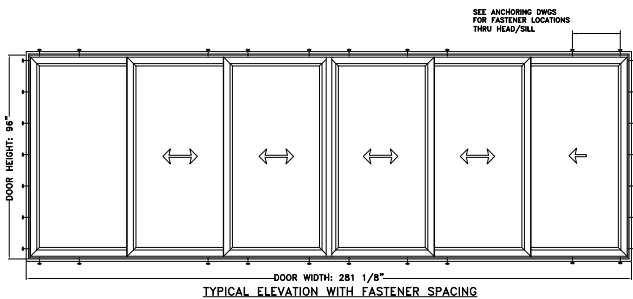
**DISCLAIMER:**

This drawing and its contents are confidential and are not to be reproduced or copied in whole or in part or used or disclosed to others except as authorized by JELD-WEN Inc.



PROJECT ENGINEER:	DATE:	<b>JELD WEN</b>	3737 LAKEPORT BLVD.
DRAWN BY:	04/17/2017		KLAMATH FALLS OR, 97601
J.HAWKINS	SCALE:	PHONE: (800) 535-3936	
CHECKED BY:	NTS	<p>Premium Vinyl Multi-Slide Patio Door 6-Panel 4-Track OXXXXX Stack</p>	
D.CROWELL	TITLE:		
APPROVED BY:			
J.GOOSSEN			
PART/PROJECT No.:			
D014676			
IDENTIFIER No.	PLANT NAME AND LOCATION:	CAD DWG. No.:	REV: A SHEET
NCTL 210-4025-01	Venice-FL	PremVinylMTSLDR4 Cert	

STEEL INSTALLATION



Max Frame	DP	IMPACT
281 3/8 x 96	+50/-55	NO

**Installation Notes:**

1. Seal flange/frame to substrate.
2. For anchoring into metal framing use #12 TEK Self-Tapping screws with sufficient length to achieve a minimum penetration of three threads past the frame thickness. Steel substrate min. 18ga., fy = 33 ksi.
3. Host structure (wood buck, masonry, steel) to be designed and anchored to properly transfer all loads to the structure. The host structure is the responsibility of the architect or engineer of record for the project of installation.

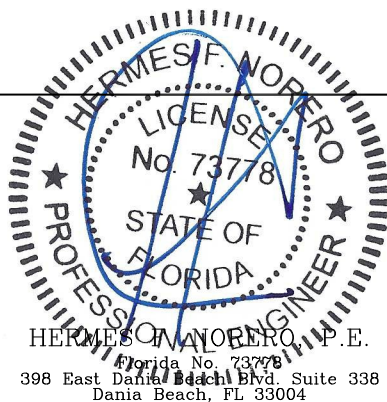
**General Notes:**

1. The product shown herein is designed, tested and manufactured to comply with the wind load criteria of the adopted International Building Code (IBC), the International Residential Code (IRC), the Florida Building Code (FBC) excluding HVHZ and the industry requirement for the stated conditions.
2. All glazing shall conform to ASTM E1300.
3. At minimum, glazing is 4.7mm tempered - 12.9mm airspace - 4.7mm tempered
4. Use structural or composite shims where required.

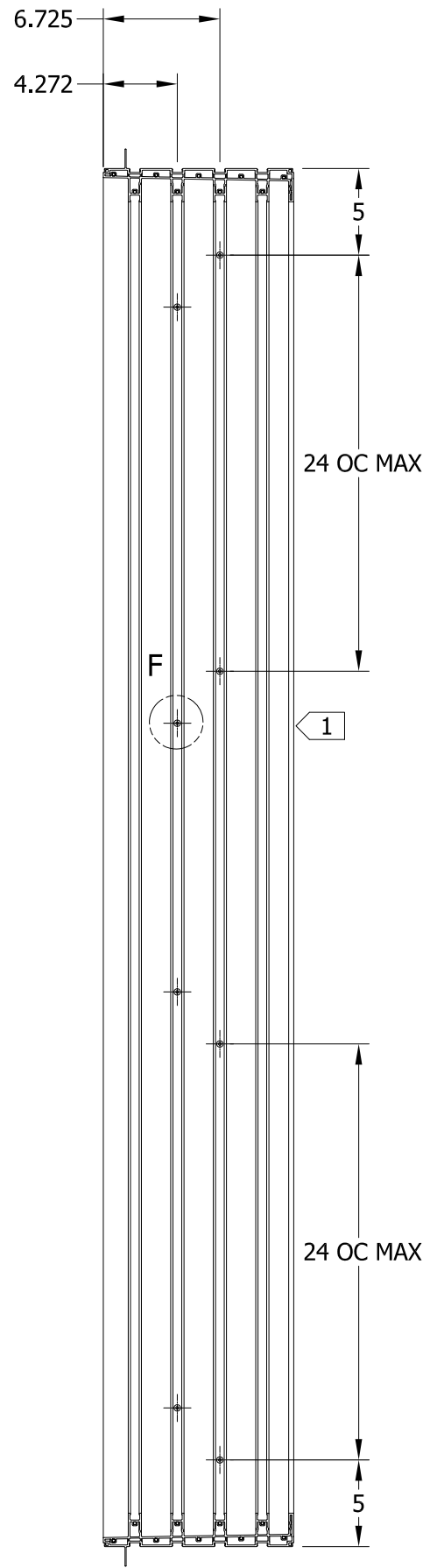
This schedule addresses only the fasteners required to anchor the unit to achieve the rated design pressure and impact performance (where applicable) up to the size limitations noted. It is not intended as a guide to the installation process and does not address the sealing consideration that may arise in different wall conditions. For the complete installation procedure, see the instructions packaged with the unit or go to [www.jeld-wen.com/resources/installation](http://www.jeld-wen.com/resources/installation).

**DISCLAIMER:**

This drawing and its contents are confidential and are not to be reproduced or copied in whole or in part or used or disclosed to others except as authorized by JELD-WEN Inc.

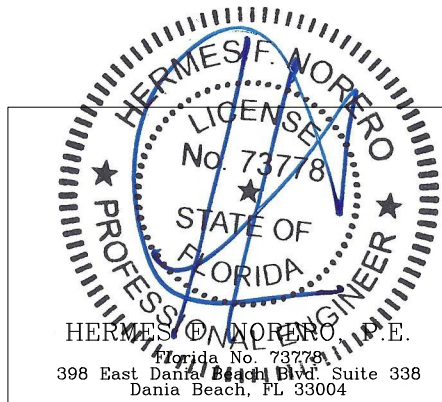
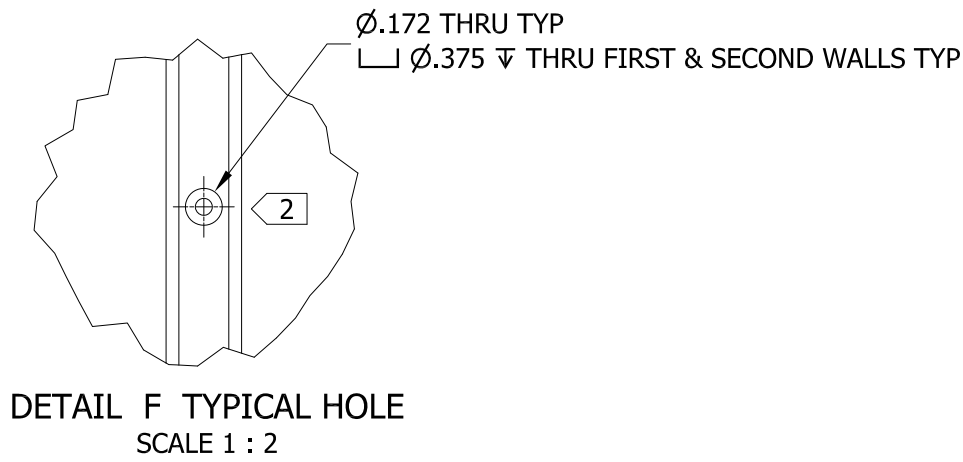


PROJECT ENGINEER:	DATE:	<b>JELD WEN</b> 3737 LAKEPORT BLVD. KLAMATH FALLS OR, 97601 PHONE: (800) 535-3936		
	04/17/2017			
DRAWN BY:	SCALE:	Premium Vinyl Multi-Slide Patio Door 6-Panel 4-Track OXXXXX Stack		
J.HAWKINS	NTS			
CHECKED BY:	TITLE:			
D.CROWELL				
APPROVED BY:		PLANT NAME AND LOCATION:		
J.GOOSSEN				
PART/PROJECT No.:				
D014676		CAD DWG. No.:	REV:	SHEET
IDENTIFIER No.	PLANT NAME AND LOCATION:	PremVinylMTSLDR4 Cert	A	
NCTL 210-4025-01	Venice-FL			



**NOTES:**

- 1. ANCHOR PATTERN LOCATED IN TRACKS 2 & 3 SHIFT AS DETAILED
- 1. HOLES TO BE OMITTED IF ON CENTER CALCULATIONS FALL WITHIN 2" OF KEEPER LOCATION
- 2. ALL HOLES IN ALL POSITIONS TO BE CENTERED WITHIN TRACK TOWERS IN JAMB
- 3. THRU FRAME INSTALLATION

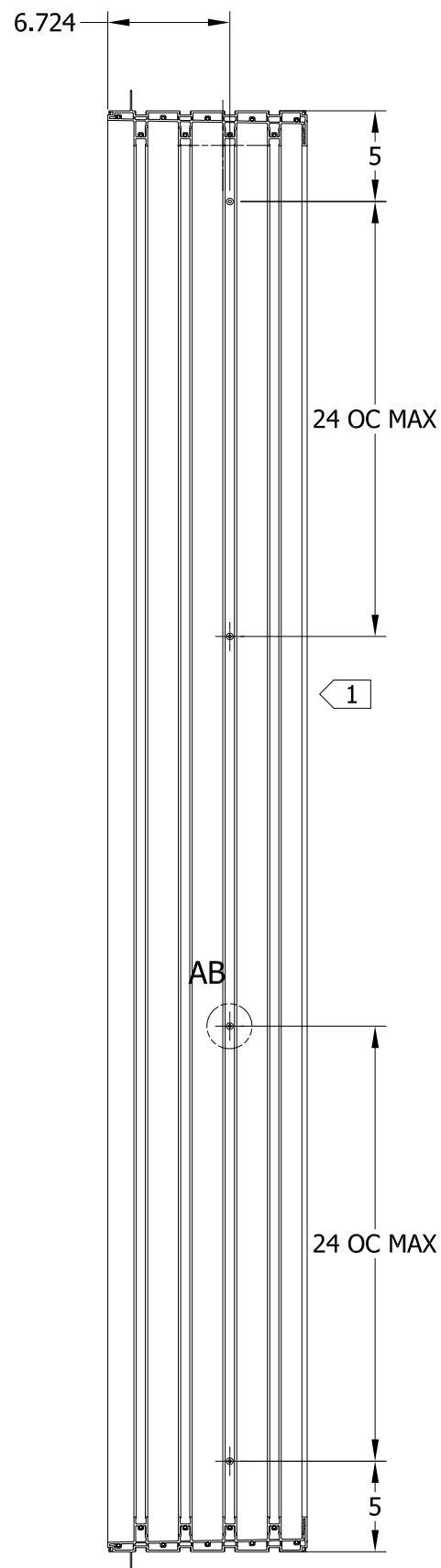


UNLESS SPECIFIED ALL DIMENSIONS IN INCHES DO NOT SCALE DRAWING - REPORT ANY ERRORS	
<b>TOLERANCES</b> (UNLESS SPECIFIED OTHERWISE)	
COMPONENT / PART TOLERANCES	
UNDER 10'-0" ± 1/32	.X ± .1
OVER 10'-0" ± 1/16	.XX ± .02
ANGULAR ± 1°	.XXX ± .006
UNIT ASSEMBLY TOLERANCES	
HEIGHT ± 1/16	WIDTH ± 1/16
MULLION ± 1/16	FRACTION ± 1/32

PROJECT ENGINEER: <b>N.HERTZOG</b>
DRAWN BY: <b>Y.GOMBO</b>
CHECKED BY: <b>J.JONES</b>
APPROVED BY: <b>J.JONES</b>
IDENTIFIER No.

DATE: <b>9/11/2015</b>
SCALE: <b>1:10</b>
TITLE: <b>4-TRACK FRAME MULTI SLIDE PATIO DOOR JAMB ANCHOR HOLES DETAIL</b>
MODEL No.: <b>P012981-199.ipt</b>
DRAWING No.: <b>P012981</b>
© 2015 JELD-WEN, inc. ALL RIGHTS RESERVED. NO DUPLICATION OR DISTRIBUTION PERMITTED. JELD-WEN, inc. CONFIDENTIAL AND PROPRIETARY.

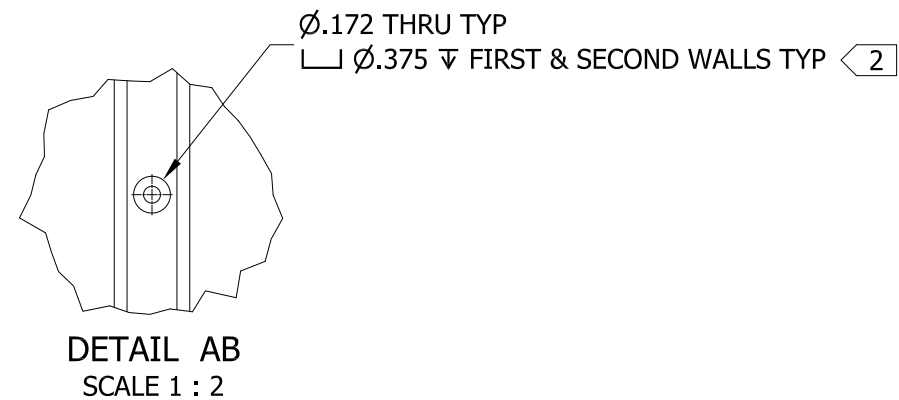
<b>JELD-WEN</b> WINDOWS & DOORS		3737 Lakeport Blvd. Klamath Falls, OR 97601 Phone: (541) 882-3451
<b>4-TRACK FRAME MULTI SLIDE PATIO DOOR JAMB ANCHOR HOLES DETAIL</b>		
MODEL No.: <b>P012981-199.ipt</b>	DRAWING No.: <b>P012981</b>	
REV: <b>A</b>	SHEET <b>9</b>	OF 16



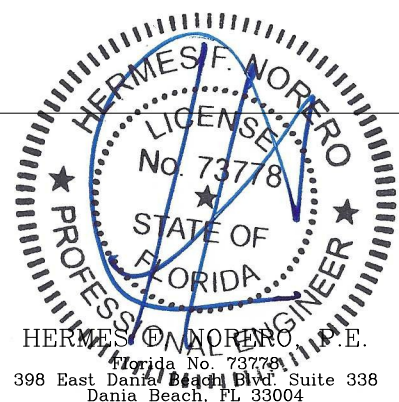
VIEW23  
SCALE 1 : 10

NOTES:

- 1. ANCHOR PATTERN LOCATED IN TRACK 2 SHIFT AS DETAILED
- 1. HOLES TO BE OMITTED IF ON CENTER CALCULATIONS FALL WITHIN 2" OF KEEPER LOCATION
- 2. ALL HOLES IN ALL POSITIONS TO BE CENTERED WITHIN TRACK TOWERS IN JAMB
- 3. NAIL FIN INSTALLATION



Ø.172 THRU TYP  
 □ Ø.375 ▽ FIRST & SECOND WALLS TYP

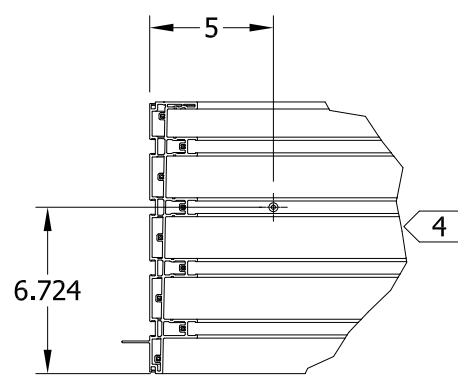


UNLESS SPECIFIED ALL DIMENSIONS IN INCHES DO NOT SCALE DRAWING - REPORT ANY ERRORS		PROJECT ENGINEER: <b>N.HERTZOG</b>	DATE: 9/11/2015		3737 Lakeport Blvd. Klamath Falls, OR 97601 Phone: (541) 882-3451
<b>TOLERANCES</b> (UNLESS SPECIFIED OTHERWISE) COMPONENT / PART TOLERANCES UNDER 10'-0" ± 1/32    .X ± .1 OVER 10'-0" ± 1/16    .XX ± .02 ANGULAR ± 1°    .XXX ± .006 UNIT ASSEMBLY TOLERANCES HEIGHT ± 1/16    WIDTH ± 1/16 MULLION ± 1/16    FRACTION ± 1/32		DRAWN BY: <b>Y.GOMBO</b>	SCALE:		TITLE: <b>4-TRACK FRAME MULTI SLIDE PATIO DOOR JAMB ANCHOR HOLES DETAIL</b>
		CHECKED BY: <b>J.JONES</b>	MODEL No.: <b>P012981-198.ipt</b>		DRAWING No.: <b>P012981</b>
		APPROVED BY: <b>J.JONES</b>	© 2015 JELD-WEN, inc. ALL RIGHTS RESERVED.NO DUPLICATION OR DISTRIBUTION PERMITTED.JELD-WEN, inc. CONFIDENTIAL AND PROPRIETARY.		REV: <b>A</b> SHEET <b>10</b> OF <b>16</b>
		IDENTIFIER No.			

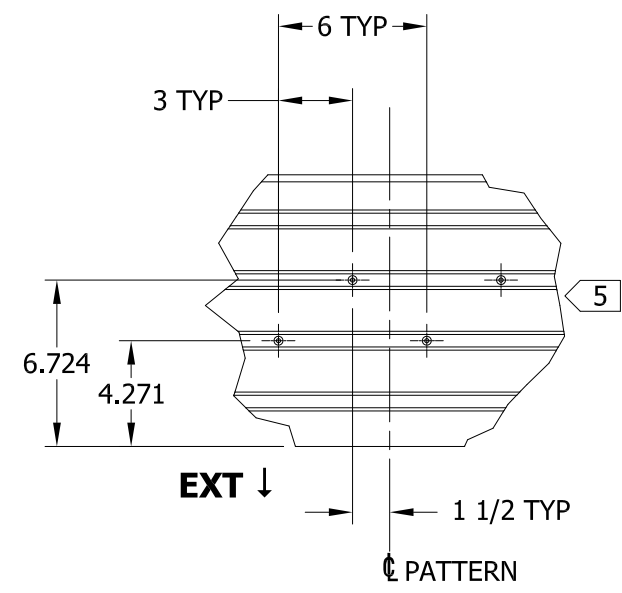


**NOTES:**

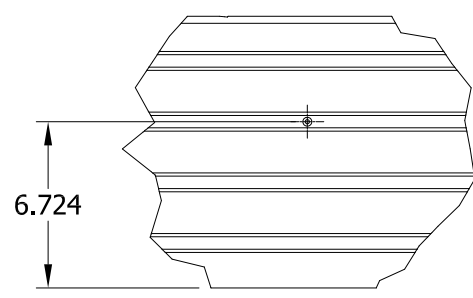
- 1 ALL HOLES IN ALL POSITIONS TO BE CENTERED WITHIN TRACK TOWERS AT HEAD OR SILL
- 2 TYP 1 ANCHOR PER PANEL LOCATED IN TRACK 2 TOWER AND ALIGNED WITH CENTER POINT OF EACH CLOSED POSITION PANEL
- 3 ANCHOR PATTERN LOCATED IN TRACKS 2 AND 3 TOWER AT EACH INTERLOCK AREA
- 4 1 ANCHOR AT ENDS LOCATED IN TRACK 2 TOWER BOTH HEAD AND SILL
- 5 TYP 4 ANCHOR PATTERN LOCATED IN TRACK 2 & 3 TOWER APPROXIMATE CENTER OF EACH CLOSED POSITION PANEL INTERLOCK AREA
- 6 CONFIGURATION FOR PG35/50 DOORS WITH THRU FRAME INSTALL



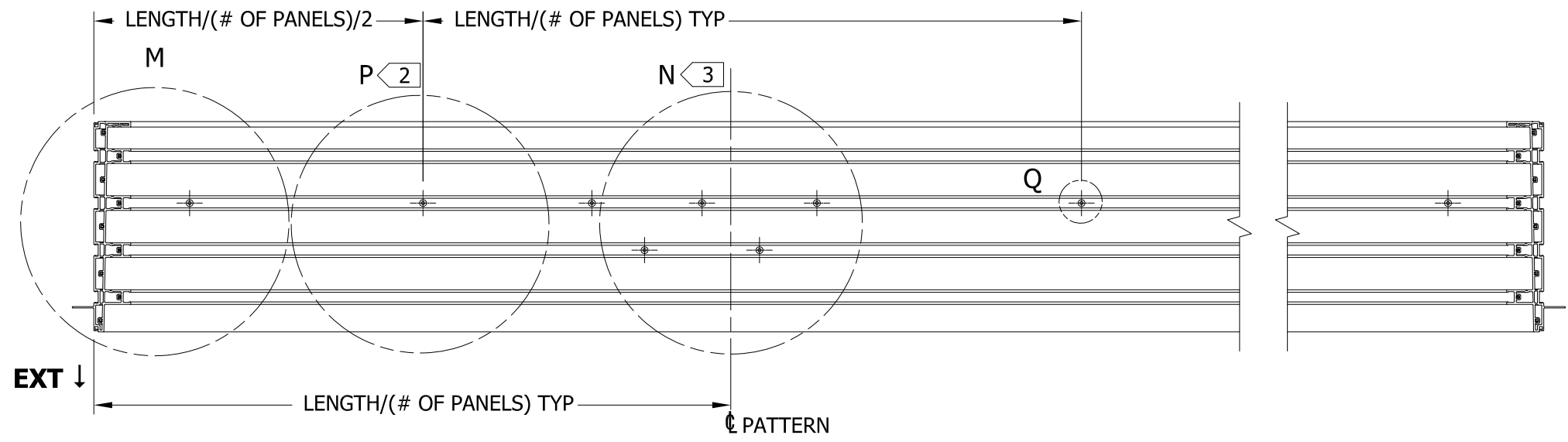
**EXT ↓** DETAIL M  
SCALE 1 / 8



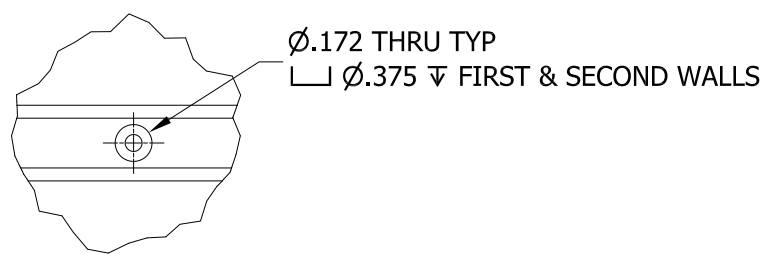
DETAIL N  
SCALE 1 / 8



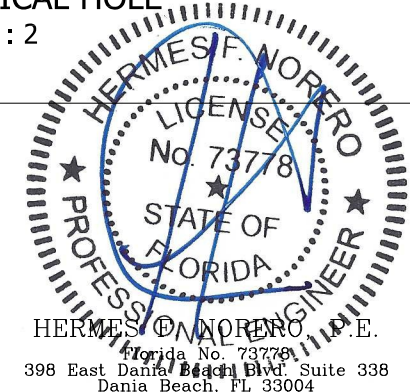
**EXT ↓** DETAIL P  
SCALE 1 / 8



**EXT ↓**



DETAIL Q TYPICAL HOLE  
SCALE 1 : 2



UNLESS SPECIFIED ALL DIMENSIONS IN INCHES  
DO NOT SCALE DRAWING - REPORT ANY ERRORS

TOLERANCES (UNLESS SPECIFIED OTHERWISE)	
COMPONENT / PART TOLERANCES	
UNDER 10'-0" ± 1/32	.X ± .1
OVER 10'-0" ± 1/16	.XX ± .02
ANGULAR ± 1°	.XXX ± .006
UNIT ASSEMBLY TOLERANCES	
HEIGHT ± 1/16	WIDTH ± 1/16
MULLION ± 1/16	FRACTION ± 1/32

PROJECT ENGINEER:  
**N.HERTZOG**

DRAWN BY:  
**Y.GOMBO**

CHECKED BY:  
**J.JONES**

APPROVED BY:  
**J.JONES**

IDENTIFIER No.

DATE:  
**9/11/2015**

SCALE:  
**1:8**

**JELD-WEN**  
WINDOWS & DOORS

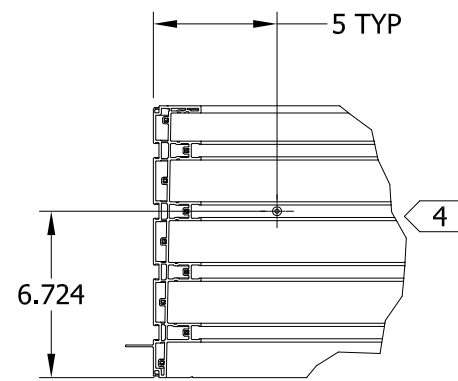
3737 Lakeport Blvd.  
Klamath Falls, OR 97601  
Phone: (541) 882-3451

TITLE:  
**4-TRACK FRAME  
MULTI SLIDE PATIO DOOR  
SILL/HEAD ANCHOR HOLE DETAIL**

MODEL No.: **P012981-397.ipt**      DRAWING No.: **P012981**

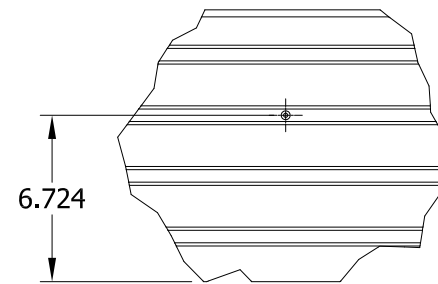
© 2015 JELD-WEN, inc. ALL RIGHTS RESERVED. NO DUPLICATION OR DISTRIBUTION PERMITTED. JELD-WEN, inc. CONFIDENTIAL AND PROPRIETARY.

REV: **A**      SHEET **11** OF **16**



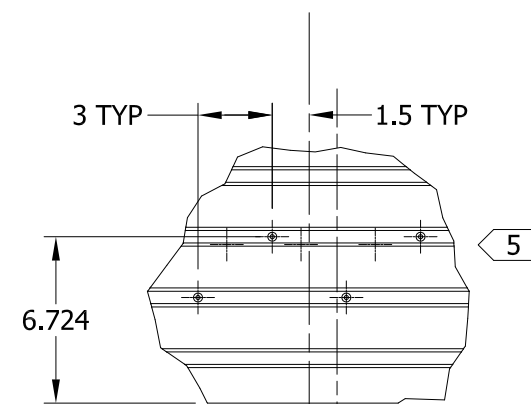
DETAIL R  
SCALE 1 / 8

EXT ↓



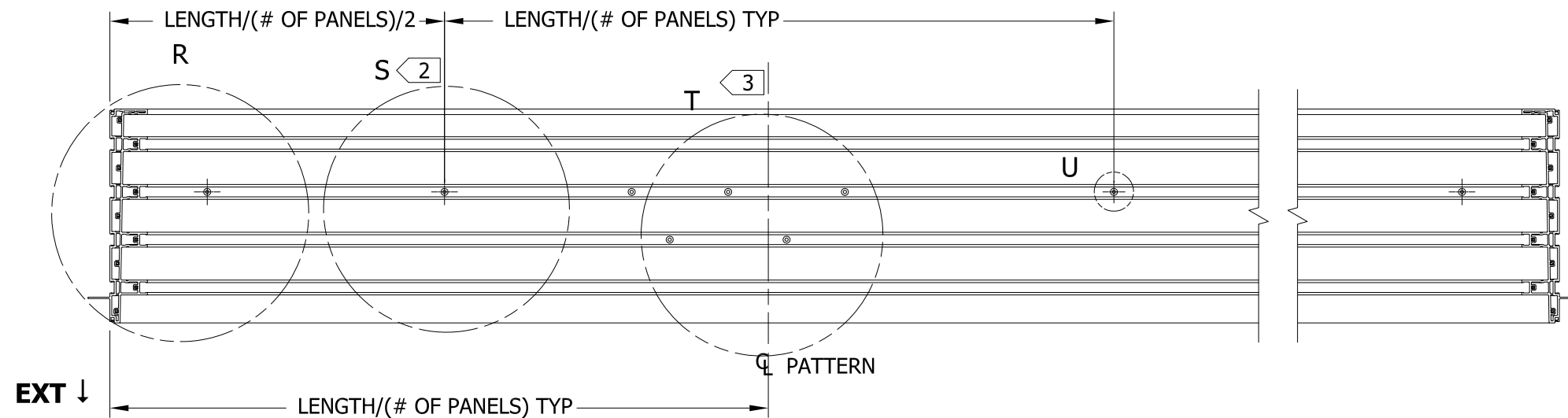
DETAIL S  
SCALE 1 / 8

EXT ↓

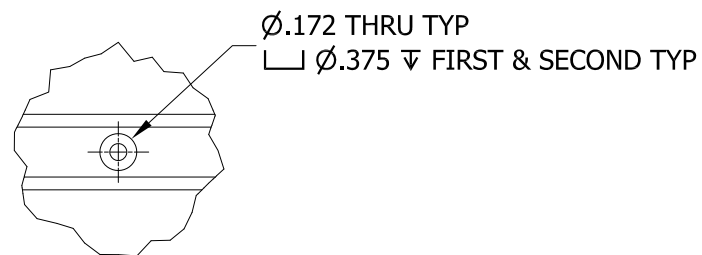


DETAIL T  
SCALE 1 / 8

EXT ↓



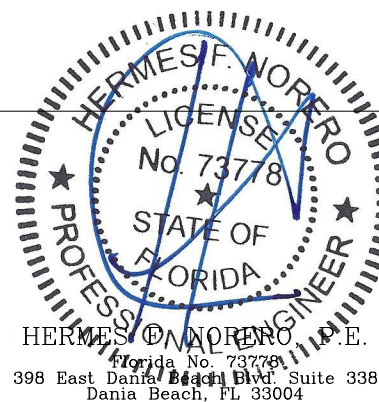
EXT ↓



DETAIL U TYPICAL HOLE  
SCALE 1 : 2

NOTES:

- 1 ALL HOLES IN ALL POSITIONS TO BE CENTERED WITHIN TRACK TOWERS AT HEAD OR SILL
- 2 TYP 1 ANCHOR PER PANEL LOCATED IN TRACK 2 TOWER AND ALIGNED WITH CENTER POINT OF EACH CLOSED POSITION PANEL
- 3 ANCHOR PATTERN LOCATED IN TRACK 2 TOWER AT EACH INTERLOCK AREA
- 4 1 ANCHOR AT ENDS LOCATED IN TRACK 2 TOWER BOTH HEAD AND SILL
- 5 TYP 3 ANCHOR PATTERN LOCATED IN TRACK 2 TOWER APPROXIMATE CENTER OF EACH CLOSED POSITION PANEL INTERLOCK AREA
- 6 CONFIGURATION FOR PG35/50 DOORS WITH NAIL FIN INSTALL



UNLESS SPECIFIED ALL DIMENSIONS IN INCHES  
DO NOT SCALE DRAWING - REPORT ANY ERRORS

TOLERANCES (UNLESS SPECIFIED OTHERWISE)	
COMPONENT / PART TOLERANCES	
UNDER 10'-0" ± 1/32	.X ± .1
OVER 10'-0" ± 1/16	.XX ± .02
ANGULAR ± 1°	.XXX ± .006
UNIT ASSEMBLY TOLERANCES	
HEIGHT ± 1/16	WIDTH ± 1/16
MULLION ± 1/16	FRACTION ± 1/32

PROJECT ENGINEER:  
**N.HERTZOG**

DRAWN BY:  
**Y.GOMBO**

CHECKED BY:  
**J.JONES**

APPROVED BY:  
**J.JONES**

IDENTIFIER No.

DATE:  
9/11/2015

SCALE:  
1:8

	3737 Lakeport Blvd. Klamath Falls, OR 97601 Phone: (541) 882-3451
	<p>TITLE: <b>4-TRACK FRAME MULTI SLIDE PATIO DOOR SILL/HEAD ANCHOR HOLE DETAIL</b></p> <p>MODEL No.: <b>P012981-396.ipt</b></p> <p>DRAWING No.: <b>P012981</b></p> <p>© 2015 JELD-WEN, inc. ALL RIGHTS RESERVED. NO DUPLICATION OR DISTRIBUTION PERMITTED. JELD-WEN, inc. CONFIDENTIAL AND PROPRIETARY.</p>
REV: <b>A</b>	SHEET <b>12</b> OF <b>16</b>